

# REV HYDRO 6

SPECIFICATION SHEET  
ARCHI-COLOR® W+RGB  
OUTDOOR

HIGH LUMEN RECESSED DOWNLIGHT  
WITH WATERPROOF DESIGN

## Housing

Aperture : Ø6" | Oversize Trim : 6.8" | Maximum Ceiling Thickness : 1.5"  
Height : 5" | Weight : 7.7 lbs

## Material

Housing : Die Cast Aluminum, Glass  
Lens : PC, Glass  
Trim : Flow Forming Aluminum

## Power Input

35W (W=15.5, RGB=19.5) | 120V, 277V

## Lumen Output

1,110 lm (35W), W+RGB : 1,300 lm

## Dimming

DMX : High resolution dims to 0.1% (Supports ANSI E1.20 RDM protocol)

## Color Quality

CRI 85

## Rated Life

> 60,000 Hours (L70)

## Trim Finish



Black



White



Gray



Bronze



Brushed  
Stainless Steel

## Color Temperature



3000K

+



Archi-Color® W+RGB

## Optics



45°



55°



Wallwash

## Warranty

5 Year limited warranty

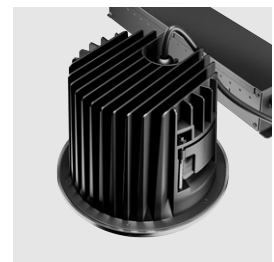
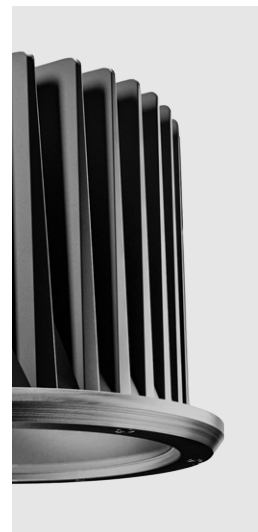
## Listing



## Durable Design, Compact Brilliance.

The REV Hydro series is a waterproof marvel that inherits the revolutionary design of the REV series. Now with an IP65 rating and a robust all-metal body, complemented by a stainless-steel front cover, it is ready to face challenging outdoor environments.

With goof ring options and easy installation, the REV Hydro is flexible, perfectly suited for illuminating outdoor landscapes and enhancing safety in wet areas like pool surroundings.



METEOR

[meteor-lighting.com](http://meteor-lighting.com)

**SPECIFICATION**

PROJECT NAME

DATE

CATALOG #

QUANTITY

<b>RH6R</b>	MODEL	<b>REV HYDRO 6 RETROFIT</b>		
<b>35</b>	WATTAGE	<b>35</b> 35W		
<b>308C</b>	CCT / CRI	<b>308C</b> 3000K + RGB / CRI 85 Archi-Color® W+RGB		
	VOLTAGE	<b>120</b> 120V	<b>277</b> 277V	
<b>DMX</b>	DIMMING	<b>DMX</b> <sup>1</sup> DMX dims to 0.1%		
	BEAM ANGLE	<b>45</b> 45°	<b>55</b> 55°	<b>WW</b> Wallwash
	TRIM FINISH <sup>2</sup>	<b>BLK</b> Black <b>BRZ</b> <sup>3</sup> Bronze	<b>WHT</b> White <b>BSS</b> Brushed Stainless Steel	<b>GRY</b> <sup>3</sup> Gray
<b>RF</b>	MOUNTING	<b>RF</b> Retrofit		
	RATING	<b>OUT</b> <sup>4</sup> Outdoor Rating	<b>NAT</b> <sup>5</sup> Natatorium Rating	<b>MAR</b> <sup>6</sup> Marine Rating
	ACCESSORIES	<b>CP</b> <sup>7</sup> Concrete Pour	<b>NC</b> <sup>7</sup> New Construction Panel	<b>AT</b> <sup>7,8,9</sup> Airtight

CLEAR FORM

<sup>1</sup> DMX does not feature XLR or RJ45 sockets; connections are bare-wired using three DMX wires  
<sup>2</sup> The trim includes a glass cover and a gasket seal to prevent water ingress from below  
<sup>3</sup> Long lead time required  
<sup>4</sup> Outdoor Rating: Coating and wiring will be changed to high UV resistant and corrosion resistant materials for long-term operation in outdoor environments  
<sup>5</sup> Natatorium Rating: Utilizes high corrosion-resistant materials for both coatings and sealants to prevent damage from long-term exposure to chlorine vapors  
<sup>6</sup> Marine Rating: Utilizes high corrosion-resistant materials for both coatings and sealants to prevent damage from long-term exposure to saltwater environments  
<sup>7</sup> Only one option within this group can be specified  
<sup>8</sup> AT is not compatible with WW option  
<sup>9</sup> Tested in accordance with ASTM E283 to meet air leakage performance standards. Requires specialized installation, including the use of a caulking compound to ensure a properly sealed assembly

**TECHNICAL DETAILS**

**Electrical**

- 1,110 lm (35W), W+RGB : 1,300 lm
- Power Input : 120V or 277V
- Operating Temperature : -20°F~112°F
- Surge Protection : Built-in is 4KV
- Power Factor Greater than 0.9

**LED Features**

- Color Temperature : 3000K + Archi-Color® W+RGB
- CRI 85
- Long lasting LED luminaire tested under TM21 lumen maintenance L70 @ 60,000 Hrs

**Optics**

- PC Lens, Glass
- Beam Angle : 45°, 55°, Wallwash

**Advanced Dimming**

- Proprietary VX Driver™ is integrated across all dimming options, delivering video flicker-free performance and full compliance with IEEE 1789.
- DMX : High resolution dims to 0.1% (Supports ANSI E1.20 RDM protocol)

**Retrofit Housing**

- Aperture : Ø6"
- Height : 5"
- Weight : 7.7 lbs
- Material : Die Cast Aluminum, PC, Flow Forming Aluminum, Glass
- Non-IC Rated, insulation must be kept >1ft from housing
- Opening of Mounting Frame : 6" to 6.5" Max
- Oversize Trim : 6.8"
- Maximum Ceiling Thickness : 1.5"
- Light engine, optics, and driver(s) accessible from below ceiling

**Warranty**

- 5-year limited warranty

**Listing**

- ETL Wet Location Listed
- FCC
- UKCA
- IP 65
- ASTM E283

**PERFORMANCE SUMMARY\***

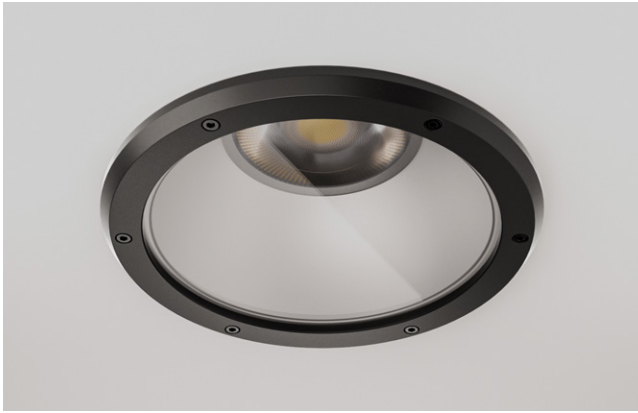
Delivered Lumens				
CCT/ WATTAGE	R	G	B	W
35W	6.5W	6.5W	6.5W	15.5W
	80lm	420lm	100lm	700lm

Current Consumption		
WATTAGE / VOLT	120V	277V
35W	0.32A	0.12A

\*Tolerance ±8%

**TRIM FINISH**

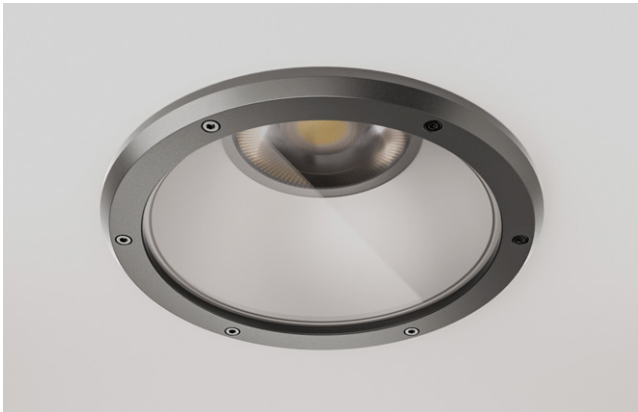
---



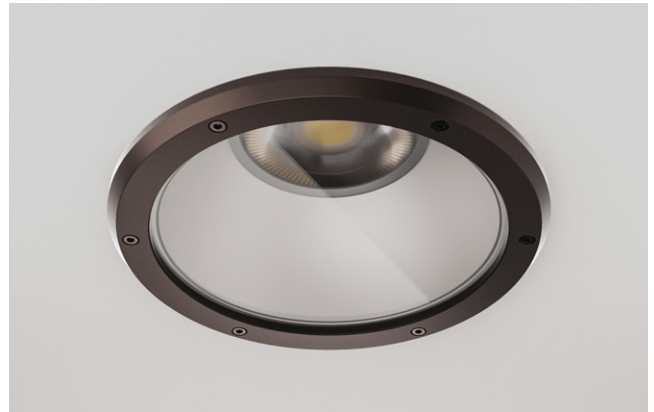
**Black Finish**



**White Finish**



**Gray Finish**



**Bronze Finish**



**Brushed Stainless Steel**

## DMX REQUIREMENTS

The REV Hydro 6 Archi-Color® W+RGB fixture with DMX is a **four channel dmx** unit. When placing an order, please indicate DMX address. (The DMX address will be listed on the back of the fixture). Do not connect more than 32 fixtures per DMX daisy chain.

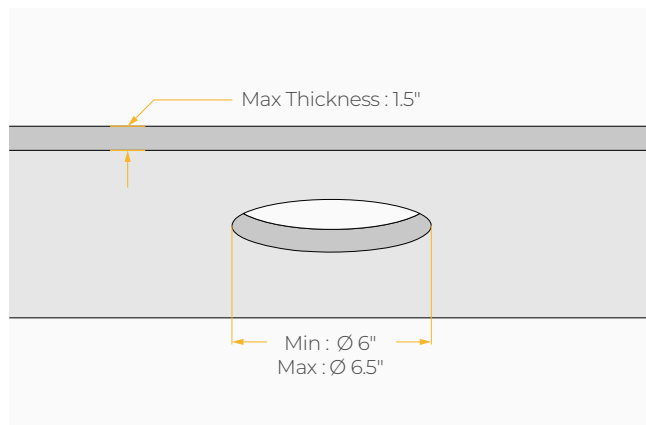
Fixture	DMX Address			
	Red Control (ex. X)	Green Control (ex. X+1)	Blue Control (ex. X+2)	White Control (ex. X+3)
#1	1	2	3	4
#2	5	6	7	8
#3	9	10	11	12

## COMPATIBLE DMX CABLING LIST

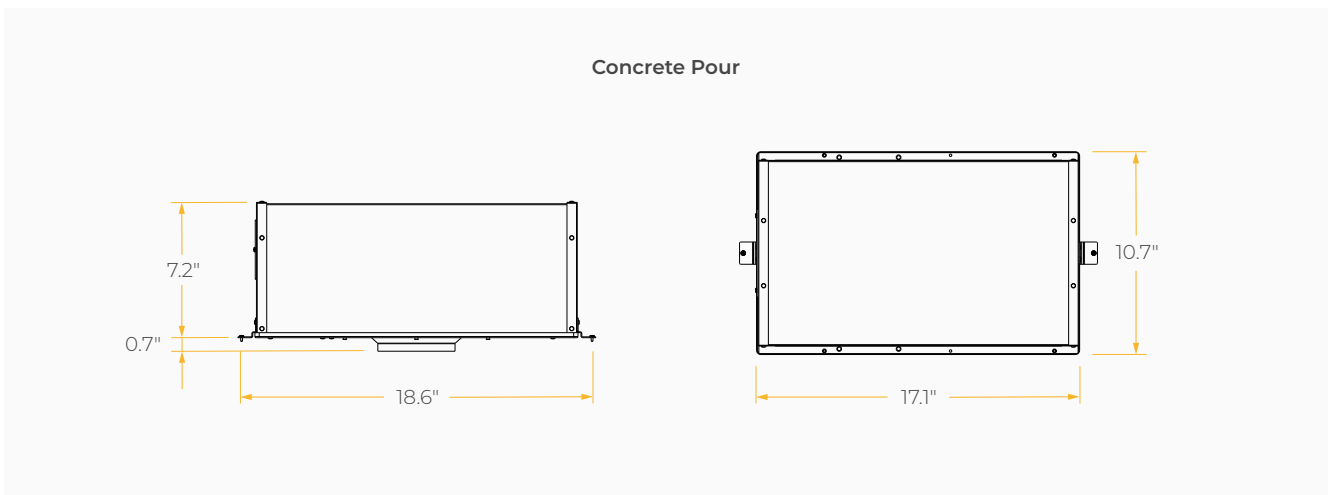
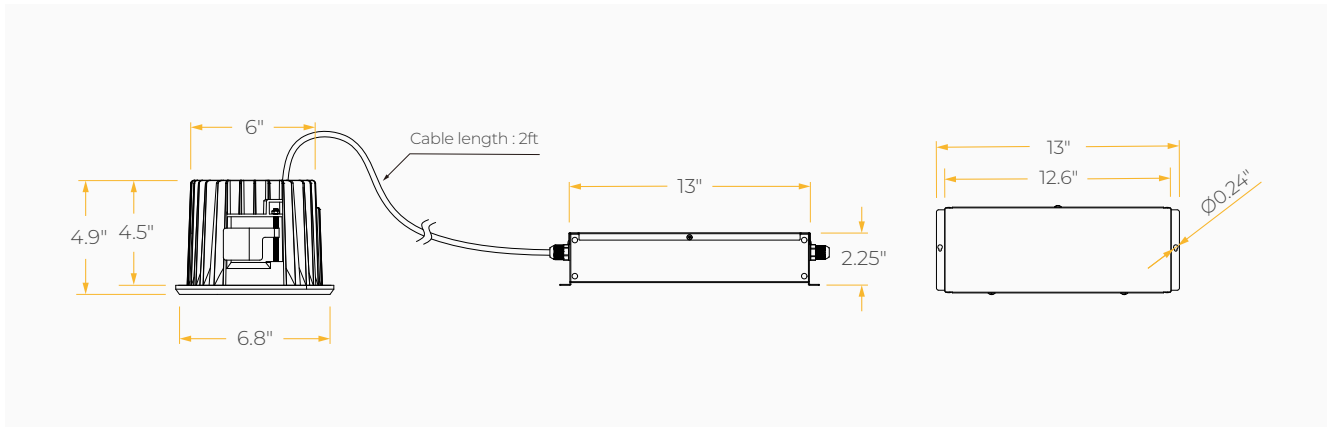
DMX uses a cable consisting of two twisted pairs plus a shield to carry data. The cable must be specifically impedance matched for the digital DMX signal, meaning that microphone cable or other non-rated cable **must not be used to carry DMX**. Network cable (Cat5, 5e or 6 cable) may be used to carry DMX in an installation; however special consideration must be given to shielding and termination. Under no circumstances should solid core cable like Cat5 be terminated into a screw down connector.

Meteor recommends the use of Belden 9729 or Belden 9841 for DMX installation. Belden 9729/9841 is a two pair cable, which allows for a spare pair for 'out and back' type terminations if needed.

## DIMENSIONS



**DIMENSIONS**



**DIMENSIONS**

New Construction Panel

